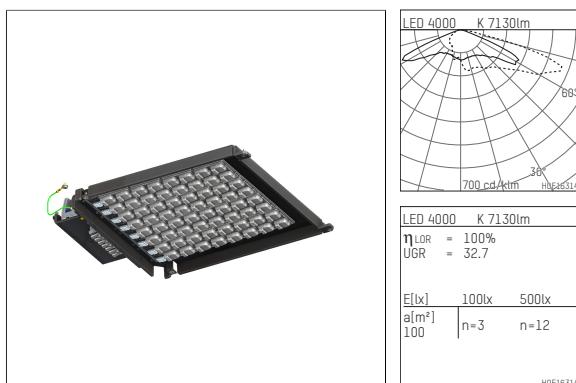
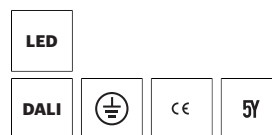


81535080NW-US

453/454
LED Upgrade Kit
LED | 80 W 4000 K



- LED Upgrade Kit 453/454
- to plane projector 153/154
- with LED 10340 lm
- colour temperature: 4000 K
- colour rendering index: CRI >80
- SDCM < 3
- net luminous flux: 7130 lm
- total load: 80 W
- luminous efficacy: 89,1 lm/W
- asymmetrical light distribution, deep
- with built in LED power unit, electronic (DALI), 220-240 V, 0/50/60 Hz
- overvoltage protection 6KV
- optional DC voltage suitable (AC/DC) - 15% power for operation in emergency lighting systems
- further dimming functions on request
- amplitude dimming
- power supply: connecting terminal 5x2,5 mm²
- Glass replacement recommended (article number glass: 8153000100)
- length: 444 mm, width: 282 mm, height: 104 mm
- windage area: 0,04 m²
- weight: 1,4 kg
- protection class I
- 5 years warranty
- designed and manufactured in Germany
- maximum ambient temperature: 35 ° C
- certificates: manufactured according to DIN VDE 0711 / EN 60598, CE
- 81535080NW-US

- Overview of accessories on the following page / s

81535080NW-US
accessory

Optional accessories

description accessory general	dimensions in mm	item number	pic.-No.
Replacement glass with hinge, seal included for upgrade kit 453/454		8153000100	01

