

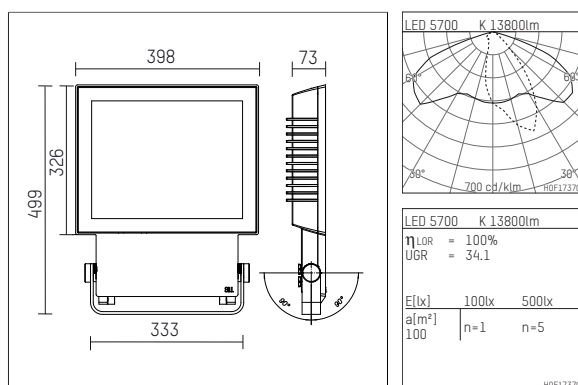
S48L0031 | white - increased corrosion protection

48L 8-16k 857 D AS120-23 WH-C PC

48L

Plane projector batwing

LED | 120 W 5700 K



- Plane projector batwing 48L
- for wall- or pole-mounting
- with pivoting mounting bracket
- with LED 17460 lm
- colour temperature: 5700 K
- colour rendering index: CRI >80
- L90 / B10 (100 000h)
- SDCM < 3
- net luminous flux: 13800 lm
- total load: 120 W
- luminous efficacy: 115,0 lm/W
- bidirectional light distribution
- with built in LED power unit, electronic (DALI), 220-240 V, 0/50/60 Hz
- including thermal protection for driver and LED module
- overvoltage protection 6KV
- optional DC voltage suitable (AC/DC) - 15% power for operation in emergency lighting systems
- further dimming functions on request
- amplitude dimming
- dimming range: 100-10 %
- Number of luminaires per fuse (B16): 7
- power supply: connecting terminal 5x2,5 mm²
- 2xM20 cable gland for cables 8-12mm, mains loop-in loop-out capable
- corrosion resistant aluminium housing AlSi12 with special pretreatment for increased and long-lasting corrosion protection in chlorinated and saline environments
- PC-cover translucent
- length: 499 mm, width: 398 mm, height: 73 mm
- $\pm 90^\circ$ tiltable
- windage area: 0,18 m²
- weight: 14 kg
- protection rating: IP65
- protection class I
- 5 years warranty
- designed and manufactured in Germany
- minimum ambient temperature: -40 ° C
- maximum ambient temperature: 45 ° C
- impact resistance class: IK09
- certificates: manufactured according to DIN VDE 0711 / EN 60598, CE
- colour: white - increased corrosion protection (RAL9010)
- S48L0031

- Overview of accessories on the following page / s

S48L0031
accessory

| Optional accessories | | | |
|---|------------------|----------------|----------|
| description accessory general | dimensions in mm | item number | pic.-No. |
| Wire guard for projector 49L and 48 L | | 849L00100 | 01 |
| Adjustable screen-doors with opening blades for projector 49L | | 849L00600 | 02 |
| Four-sided screen for projector 49L and 48L | | 849L00200 | 03 |
| Horizontal screen, with adjustable blades for projector 49L and 48L | | 849L00300 | 04 |
| Vertical screen, with adjustable blades for projector 49L and 48L | | 849L00400 | 05 |
| Three-sided screen for projector 49L und 48L | | 849L00500 | 06 |
| frosted glass, for diffusing for projector 49L and 48L | | 849L02100 | 07 |
| Clear glass partially frosted, for diffusing the upper or lower part of light emission for projector 49L and 48L | | 849L02200 | 08 |
| Structured glass Albarino S, Fine structure for diffusion, light transmission 91,5% for projector 49L and 48L | | 849L02600 | 09 |
| Conversion filter daylight, Raises the colour temperature from 3000K to 4450K and from 5700K to 14.500K for projector 49L and 48L | | 849L03200 | 10 |
| Conversion filter neutral, Raises the colour temperature from 3000K to 3650K for projector 49L and 48L | | 849L03100 | 11 |
| Conversion filter warm, Lowers the colour temperature from 3000K to 2600K for projector 49L and 48L | | 849L03000 | 12 |
| Mounting bracket, vibration damping for projector 49L and 48L | | 849L01000 | 13 |
| Wall outrigger arm, L=0,5m for projector series 49L and 48L | | 849400500 | 14 |
| Column outrigger arm, for column diameters 80-120 mm for projector 49L and 48L | | 849400700 | 15 |
| Column clamp stainless steel v2a / hot galvanized, for column diameters 115-120 mm | | 855500 200-120 | 16 |
| Column clamp stainless steel v2a / hot galvanized, for column diameters 150-170 mm | | 855500 200-170 | 16 |
| Column clamp stainless steel v2a / hot galvanized, for column diameters 55-60 mm | | 855500 200-60 | 16 |
| Column clamp stainless steel v2a / hot galvanized, for column diameters 60-89 mm | | 855500 200-89 | 16 |
| Column clamp stainless steel v2a / hot galvanized, for column diameters 85-92 mm | | 855500 200-92 | 16 |
| honeycomb louver for projector 49L and 48L | | 849L02000 | 17 |

S48L0031 accessory

