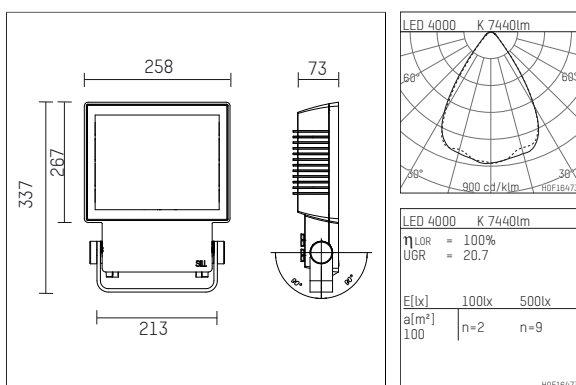


## S48M0029 | white - increased corrosion protection

48M 6-9k 840 D WB65 WH-C PC

48M  
plane projector  
LED | 80 W 4000 K



- plane projector 48M
- for wall- or pole-mounting
- with pivoting mounting bracket
- with LED 10320 lm
- colour temperature: 4000 K
- colour rendering index: CRI >80
- L80 / B10 (100.000h)
- SDCM < 3
- net luminous flux: 7440 lm
- total load: 80 W
- luminous efficacy: 93,0 lm/W
- rotationsymmetrical light distribution
- beam angle: 65 °
- with built in LED power unit, electronic (DALI), 220-240 V, 0/50/60 Hz
- including thermal protection for driver and LED module
- overvoltage protection 6KV
- optional DC voltage suitable (AC/DC) - 15% power for operation in emergency lighting systems
- further dimming functions on request
- amplitude dimming
- dimming range: 100-10 %
- Number of luminaires per fuse (B16): 10
- power supply: connecting terminal 5x2,5 mm<sup>2</sup>
- 2xM20 cable gland for cables 8-12mm, mains loop-in loop-out capable
- corrosion resistant aluminium housing AlSi12 with special pretreatment for increased and long-lasting corrosion protection in chlorinated and saline environments
- PC-cover translucent
- length: 337 mm, width: 258 mm, height: 73 mm
- ± 90° tiltable
- windage area: 0,08 m<sup>2</sup>
- weight: 5,2 kg
- protection rating: IP65
- protection class I
- 5 years warranty
- designed and manufactured in Germany
- minimum ambient temperature: -40 ° C
- maximum ambient temperature: 55 ° C
- impact resistance class: IK08
- certificates: manufactured according to DIN VDE 0711 / EN 60598
- colour: white - increased corrosion protection (RAL9010)
- S48M0029

S48M0029  
accessory

## Optional accessories

| description accessory general   | dimensions in mm | item number    | pic.-No. |
|---|------------------|----------------|----------|
| Wire guard<br>for projector 49M and 48M   |                  | 849M00100      | 01       |
| Four-sided screen<br>for projector 49M and 48M  |                  | 849M00200      | 02       |
| Horizontal screen, with adjustable blades<br>for projector 49M and 48M  |                  | 849M00300      | 03       |
| Vertical screen, with adjustable blades<br>for projector 49M  |                  | 849M00400      | 04       |
| Three-sided screen<br>for projector 49M and 48M   |                  | 849M00500      | 05       |
| Screen-doors with 12 opening blades<br>for projector 49M and 48M  |                  | 849M00700      | 06       |
| Screen doors with 4 opening blades<br>for projector 49M and 48M   |                  | 849M00600      | 07       |
| frosted glass, for diffusing<br>for projector 49M and 48M   |                  | 849M02100      | 08       |
| Clear glass partially frosted, for diffusing the upper or lower part of light<br>emission<br>for projector 49M and 48M                  |                  | 849M02200      | 09       |
| Structured glass Albarino S, Fine structure for diffusion, light transmission<br>91,5%<br>for projector 49M and 48M                     |                  | 849M02600      | 10       |
| Conversion filter neutral, Raises the colour temperature from 3000K to 3650K<br>for projector 49M and 48M                               |                  | 849M03100      | 11       |
| Grooved glass vertical, type 555 B<br>for projector 49M and 48M   |                  | 849M02400      | 12       |
| Grooved glass horizontal, type 555 B<br>for projector 49M und 48M   |                  | 849M02300      | 13       |
| Conversion filter warm, Lowers the colour temperature from 3000K to 2600K<br>for projector 49M and 48M                                  |                  | 849M03000      | 14       |
| Conversion filter daylight, Raises the colour temperature from 3000K to 4450K<br>and from 5700K to 14.500K<br>for projector 49M and 48M |                  | 849M03200      | 15       |
| Mounting bracket, vibration damping<br>for projector 49M and 48M  |                  | 849M01000      | 16       |
| Wall outrigger arm, L=0,5m<br>for projector 49S/49M and 48S/48M   |                  | 849000500      | 17       |
| Column mounting bracket black, for column diameters 80-120 mm<br>for projector 49S/49M and 48S/48M                                      |                  | 849000700      | 18       |
| Column clamp stainless steel v2a / hot galvanized, for column diameters<br>115-120 mm   |                  | 855500 200-120 | 19       |
| Column clamp stainless steel v2a / hot galvanized, for column diameters<br>150-170 mm   |                  | 855500 200-170 | 19       |
| Column clamp stainless steel v2a / hot galvanized, for column diameters 55-60<br>mm   |                  | 855500 200-60  | 19       |
| Column clamp stainless steel v2a / hot galvanized, for column diameters 60-89<br>mm   |                  | 855500 200-89  | 19       |
| Column clamp stainless steel v2a / hot galvanized, for column diameters 85-92<br>mm   |                  | 855500 200-92  | 19       |

S48M0029

**accessory**

**Optional accessories**

| description accessory general                                 | dimensions in mm | item number | pic.-No. |
|---|------------------|-------------|----------|
| Ground Spike, L=300mm<br>for projector series 49S/M and 48S/M |                  | 849000900   | 20       |
| honeycomb louver<br>for projector 49M and 48M                 |                  | 849M02000   | 21       |

