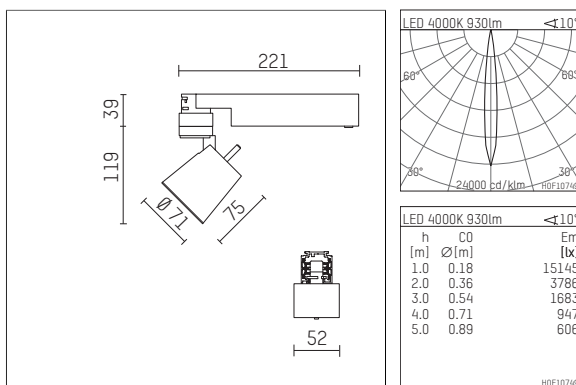




112 127 14 721 | black

gin.o 1
spotlight
LED | 10 W 4000 K



- spotlight gin.o 1
- with 3 circuit universal adapter
- for Hoffmeister control.x tracks
- circuit selection is possible while adapter is inserted into the track
- passive thermo management
- with LED 1050 lm
- colour temperature: 4000 K
- colour rendering index: CRI >80
- L90 / B10 (50.000h)
- SDCM < 2
- net luminous flux: 930 lm
- total load: 10 W
- luminous efficacy: 93,0 lm/W
- rotationsymmetrical light distribution, spot
- beam angle: 10 °
- LED power unit integrated in adapter, electronic (POTI), 220-240 V, 0/50/60 Hz
- amplitude dimming
- adapter with integrated potentiometer
- dimming range: 100-0,1 %
- housing of die cast aluminium
- adapter of fibreglass reinforced thermoplastic
- safety glass, clear
- length: 221 mm, width: 52 mm, height: 158 mm
- rotatable 360°, 90° tiltable
- weight: 0,54 kg
- protection rating: IP20
- protection class I
- 5 years Hoffmeister warranty
- Made in Germany
- maximum ambient temperature: 35 ° C
- certificates: manufactured according to DIN VDE 0711 / EN 60598, CE
- colour: black
- 112 127 14 721

- Overview of accessories on the following page / s

112 127 14 721
accessory

Optional accessories

description accessory general	dimensions in mm	item number	pic.-No.
antiglare flaps for spotlights gin.a and gin.o size 1		103406	01
connection ring suitable for attachment of accessories for spotlights gin.a and gin.o size 1		103415	02
connection tube suitable for attachment of accessories for spotlights gin.a and gin.o size 1		103412	03
connection tube with cross louver suitable for attachment of accessories for spotlights gin.a and gin.o size 1		103409	04
visor suitable for attachment of accessories for spotlights gin.a and gin.o size 1		104747	05



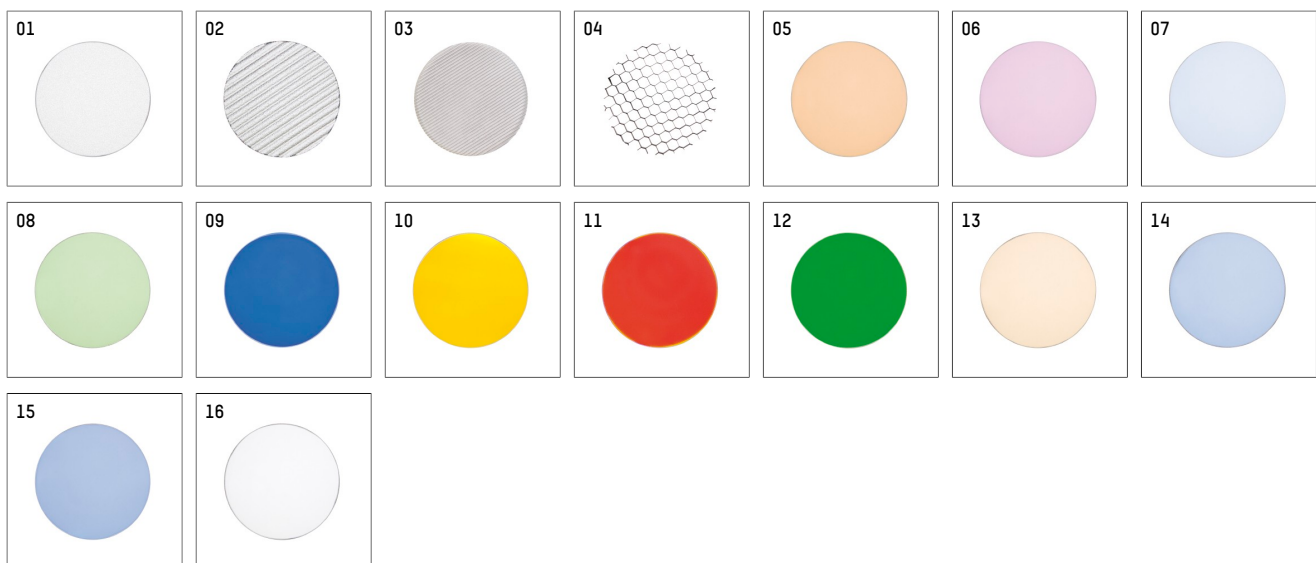
Additional optional accessory components

description accessory general	dimensions in mm	item number	pic.-No.
soft.shape lens for spotlights gin.a and gin.o size 1	Ø: 54	104227	01
soft.spot lens for spotlights gin.a and gin.o size 1	Ø: 54	103429	01
sculpture lens for spotlights gin.a and gin.o size 1	Ø: 54	103428	02
prismatic glass for spotlights gin.a and gin.o size 1	Ø: 54	104914	03
honeycomb louver for spotlights gin.a and gin.o size 1		103416	04
dichroitic food filter for food lighting (bread and cheese) for spotlights gin.a and gin.o size 1	Ø: 54	103419	05
dichroitic food filter for food lighting (meat and sausages) for spotlights gin.a and gin.o size 1	Ø: 54	103417	06
dichroitic food filter for food lighting (fish) for spotlights gin.a and gin.o size 1	Ø: 54	103418	07
dichroitic food filter for food lighting (fruits and vegetable) for spotlights gin.a and gin.o size 1	Ø: 54	103420	08
dichroitic colour filter for spotlights gin.a and gin.o size 1	Ø: 54	103423	09

112 127 14 721
accessory

Additional optional accessory components

description accessory general	dimensions in mm	item number	pic.-No.
dichroitic colour filter for spotlights gin.a and gin.o size 1	Ø: 54	103421	10
dichroitic colour filter for spotlights gin.a and gin.o size 1	Ø: 54	103422	11
dichroitic colour filter for spotlights gin.a and gin.o size 1	Ø: 54	103424	12
Dichroitic conversion filter warm tone filter, conversion from 3000K to 2400K for spotlights gin.a and gin.o size 1	Ø: 54	103425	13
Dichroitic conversion filter neutral filter, conversion from 3000K to 4000K for spotlights gin.a and gin.o size 1	Ø: 54	103426	14
Dichroitic conversion filter daylight filter, conversion from 3000K to 5000K for spotlights gin.a and gin.o size 1	Ø: 54	103427	15
UV filter glass UVB filter for spotlights gin.a and gin.o size 1	Ø: 54	103431	16
UV filter glass UVA filter for spotlights gin.a and gin.o size 1	Ø: 54	105851	16
IR filter glass for spotlights gin.a and gin.o size 1	Ø: 54	103433	16
UV/IR filter glass for spotlights gin.a and gin.o size 1	Ø: 54	103435	16



112 127 14 721
accessory

Possible optional accessories combinations

item number	103416	103417	103418	103419	103420	103421	103422	103423	103424	103425	103426	103427	103428	103429	103431	103433	103435	104227	104914	105851
103406																				
103415	X	X	X	X	X	X	X	X	X	X	X	X	X	X	X	X	X	X	X	X
103412	X	X	X	X	X	X	X	X	X	X	X	X			X	X	X			X
103409	X	X	X	X	X	X	X	X	X	X	X	X			X	X	X			X
104747		X	X	X	X	X	X	X	X	X	X	X			X	X	X			X