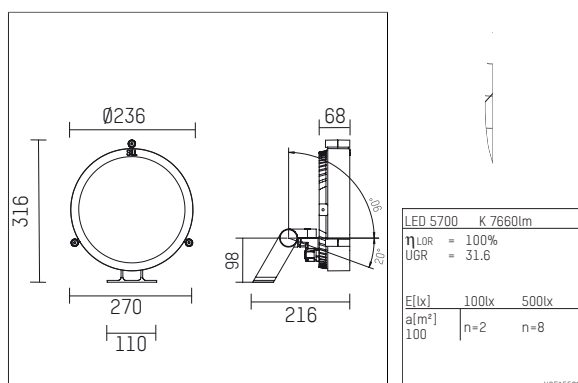




14M1100KWDE916 | silver

14M
projector
LED | 100 W 5700 K



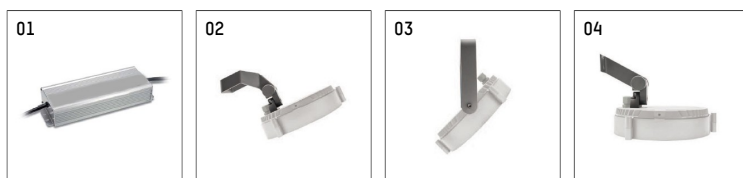
- projector 14M
- for wall-, ground and ceiling mounting
- power supply and mounting bracket must be ordered separately
- with LED
- colour temperature: 5700 K
- colour rendering index: CRI >70
- L80 / B10 (50.000h)
- SDCM < 3
- net luminous flux: 7660 lm
- total load: 100 W
- luminous efficacy: 76,6 lm/W
- rotationsymmetrical light distribution, spot
- beam angle: 15 °
- for external power supply, integrated control unit (DALI)
- 24V DC
- control ON/OFF, DALI
- secondary connection:
- connecting terminal in cutting/terminal technology (type: for H05 RN-F 4 x 0,75-1,5 with tightening range diameter 7-10 mm)
- housing of die cast aluminium
- safety glass, clear
- length: 216 mm, width: 270 mm, height: 316 mm
- windage area: 0,05 m²
- weight: 3,66 kg
- protection rating: IP65
- protection class II
- 5 years warranty
- impact resistance class: IK08
- certificates: manufactured according to DIN VDE 0711 / EN 60598, CE
- colour: silver (RAL9006)
- 14M1100KWDE916

- Overview of accessories on the following page / s

14M1100KWDE916

accessory**Required accessories**

description accessory general	dimensions in mm	item number	pic.-No.
LED power unit IP67, 24V / 120W for projector 14M for outdoor usage	LxWxH: 228 x 68 x 39	814M10000	01
LED power unit IP67, 24V / 240W for 2 x projector 14M for outdoor usage	LxWxH: 244 x 68 x 39	814M20000	01
LED power unit IP67, 24V / 320W for 3 x projector 14M for outdoor usage	LxWxH: 252 x 90 x 44	814M30000	01
Edged bracket for projector 14M		814M0010B916	02
Pivoting bracket for projector 14M		814M0010H916	03
Standard bracket for projector 14M		814M0010O916	04

**Optional accessories**

description accessory general	dimensions in mm	item number	pic.-No.
Gimbal mounting for projector 14M		814M0010K916	01

