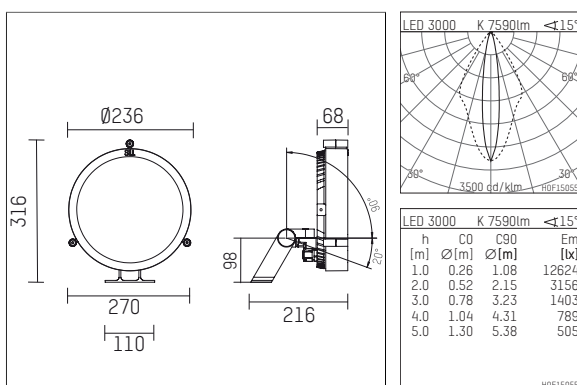




14M5100WWCE916 | silver

14M
projector
LED | 100 W 3000 K



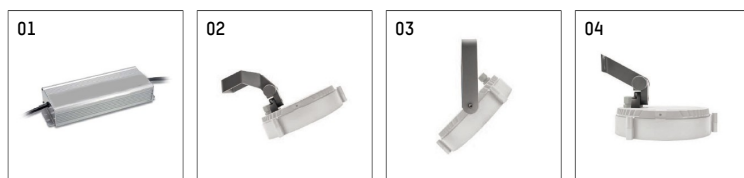
- projector 14M
- for wall-, ground and ceiling mounting
- power supply and mounting bracket must be ordered separately
- with LED
- colour temperature: 3000 K
- colour rendering index: CRI >70
- L80 / B10 (50.000h)
- SDCM < 3
- net luminous flux: 7590 lm
- total load: 100 W
- luminous efficacy: 75,9 lm/W
- oval flood, oval flood
- 15° x 57°
- for external power supply, integrated control unit (DMX)
- *UNDEFINED TEXT*
- control ON/OFF, DMX
- secondary connection:
- connecting terminal in cutting/terminal technology (type: for H05 RN-F 4 x 0,75-1,5 with tightening range diameter 7-10 mm, DMX cross section range of the cores 0,34-0,75 mm²)
- housing of die cast aluminium
- safety glass, clear
- length: 216 mm, width: 270 mm, height: 316 mm
- windage area: 0,05 m²
- weight: 3,66 kg
- protection rating: IP65
- protection class III
- 5 years warranty
- impact resistance class: IK08
- certificates: manufactured according to DIN VDE 0711 / EN 60598, CE
- colour: silver (RAL9006)
- 14M5100WWCE916

- Overview of accessories on the following page / s

14M5100WWCE916
accessory

Required accessories

description accessory general	dimensions in mm	item number	pic.-No.
LED power unit IP67, 24V / 120W for projector 14M for outdoor usage	LxWxH: 228 x 68 x 39	814M10000	01
LED power unit IP67, 24V / 240W for 2 x projector 14M for outdoor usage	LxWxH: 244 x 68 x 39	814M20000	01
LED power unit IP67, 24V / 320W for 3 x projector 14M for outdoor usage	LxWxH: 252 x 90 x 44	814M30000	01
Edged bracket for projector 14M		814M0010B916	02
Pivoting bracket for projector 14M		814M0010H916	03
Standard bracket for projector 14M		814M0010O916	04



Optional accessories

description accessory general	dimensions in mm	item number	pic.-No.
Gimbal mounting for projector 14M		814M0010K916	01

